



EZ17

Tracked Zero Tail Excavators



Compactness in top form: EZ17

The EZ17 compact excavator is the best performance Zero Tail model in its class. The large volume

diesel engine combined with LUDV (Load Sensing System) and the new cooling system promise high performance and efficiency. The compact and robust design ensures longer operating life. The EZ17 guarantees the perfect full 360-vision - upward as well as downward - and offers an extremely large field of vision.

- Best performance Zero Tail model in its class with a large volume diesel engine and LUDV (Load Sensing System).
- Zero tail swing for working in tight and confined spaces.
- New cooling system promise high performance also in high surrounding temperatures of up to 45 °C.
- Compact, robust design ensures longer operating life.
- Extremely large field of vision through top window.



Technical specifications

Operating data

Shipping weight min.	1,595 kg
Operating weight min.	1,725 kg
Biting force max.	9.1 kN
Breakaway force max.	18.7 kN
Digging depth max. max.	2,486 mm
Dumping height	2436 - 2550 mm
Dumping height max. max.	2,550 mm
Digging radius max. max.	4,050 mm
Superstructure slewing speed	9.4 1/min
L x W x H	3584 x 990 x 2362 mm

Engine / Motor

Engine / Motor manufacturer	Yanmar
Engine / Motor type	3TNV76
Engine / Motor	Water-cooled 3-cylinder diesel engine
Displacement	1,116 cm ³
RPM / speed	2,200 rpm
Engine performance output to ISO	13.4 kW
Battery	30 Ah
Tank capacity	22 l

Hydraulic system

Flow rate	39.6 l/min
Operating pressure for working and traction hydraulics	240 bar
Operating pressure Slewing gear	150 bar
Hydraulic oil tank	21 l

Wheel set

Travel speed max.	4.8 km/h
Chain width	230 mm
Ground clearance	156 mm

Dozer Blade

Width	1,300 mm
Height	230 mm

Sound level

Sound level (LwA) acc. to 2000/14/EC	93 dB(A)
--------------------------------------	----------



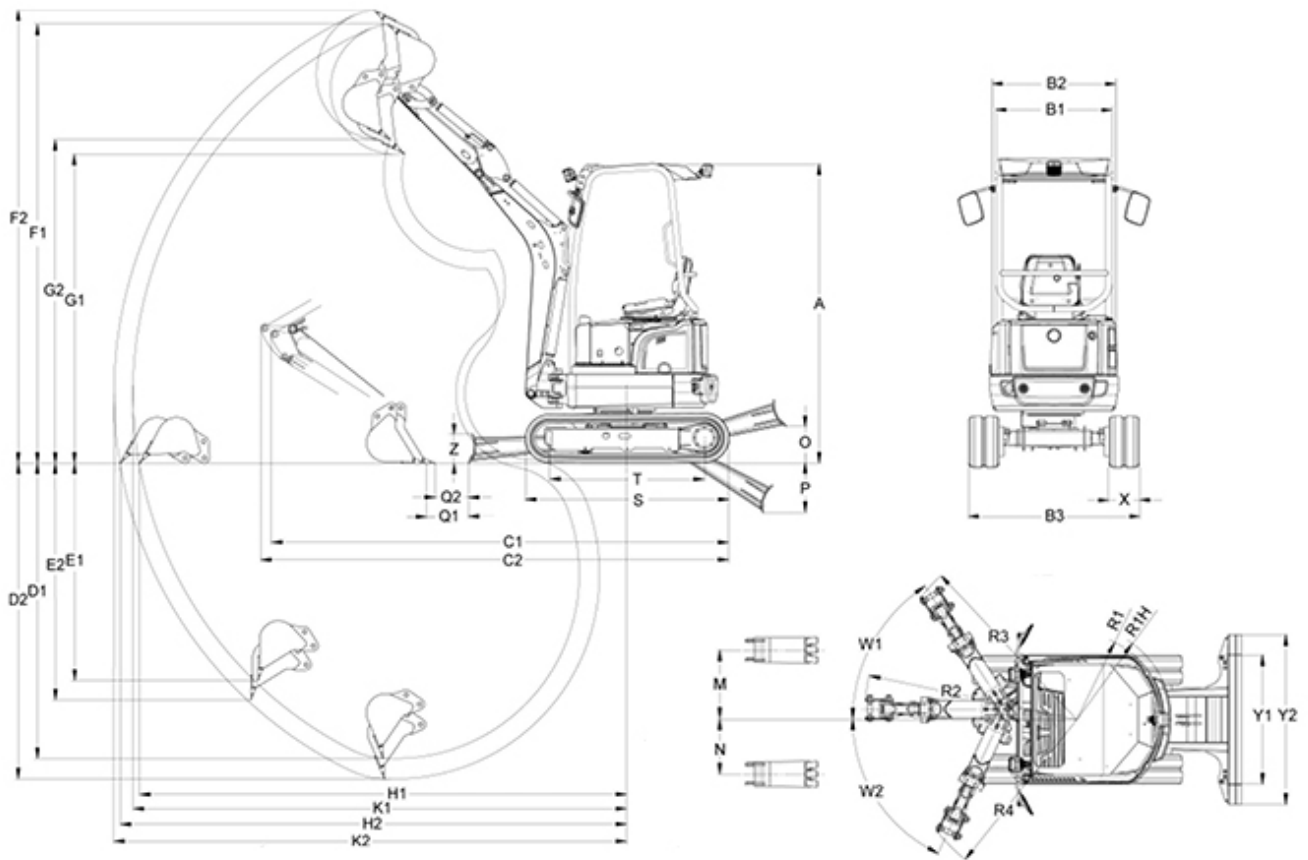
**WACKER
NEUSON**
all it takes!

Cabin - specified sound pressure level LpA acc. to ISO 6394

79 dB(A)



Dimensions



A	Height	2,362 mm
B1	Width of canopy	885 mm
B2	Width of revolving superstructure	990 mm
B3	Width Undercarriage width, retracted	1,300 mm
C1	Transport length (short dipper arm)	3,584 mm
C2	Transport length (long dipper arm)	3,551 mm
D1	Digging depth max. Max. (short dipper arm)	2,326 mm
D2	Digging depth max. Max. (long dipper arm)	2,486 mm
E1	Insertion depth Max. vertical (short dipper arm)	1,713 mm
E2	Insertion depth Max. vertical (long dipper arm)	1,863 mm



F1	Insertion height Max. (short dipper arm)	3,462 mm
F2	Insertion height Max. (long dipper arm)	3,576 mm
G1	Dumping height max. Max. (short dipper arm)	2,436 mm
G2	Dumping height max. Max. (long dipper arm)	2,550 mm
K1	Digging radius max. Max. (short dipper arm)	3,899 mm
K2	Digging radius max. Max. (long dipper arm)	4,050 mm
H1	Range Max. span on the ground (short dipper arm)	3,848 mm
H2	Range Max. span on the ground (long dipper arm)	4,002 mm
R1	Rear swivel radius Min.	660 mm
M	Arm displacement Max. boom offset to centre of bucket, right side	533 mm
N	Arm displacement Max. boom offset to centre of bucket, left side	418 mm
O	Lift height Max. dozer blade above ground	271 mm
P	Scraping depth Max. dozer blade below ground	390 mm
S	Length Total crawler	1,607 mm
W1	Turning angle Max. right	57 °
W2	Turning angle Max. left	65 °
Y1	Width dozer blade	990 mm
Q1	Distance bucket and depth dozer blade (short dipper arm)	332 mm
Q2	Distance bucket and depth dozer blade (long dipper arm)	260 mm
R2	Boom slewing radius center	1,627 mm
R3	Boom slewing radius right	1,519 mm
R4	Boom slewing radius left	1,372 mm
T	Length Crawler, center to Turas guide wheel	1,223 mm
Y2	Width Dozer blade width with expansion	1,300 mm
Z	Height Dozer blade	230 mm



**WACKER
NEUSON**
all it takes!

Please note

that product availability can vary from country to country. It is possible that information / products may not be available in your country. More detailed information on engine power can be found in the operator's manual; the stated power may vary due to specific operating conditions.

Subject to alterations and errors excepted. Applicable also to illustrations.

Copyright © 2016 Wacker Neuson SE.